

Please be sure to read and save the warnings on other side prior to using your unit.

QUICK START GUIDE

How to set up the SV2000 Series Shark® Cordless Vacuum.

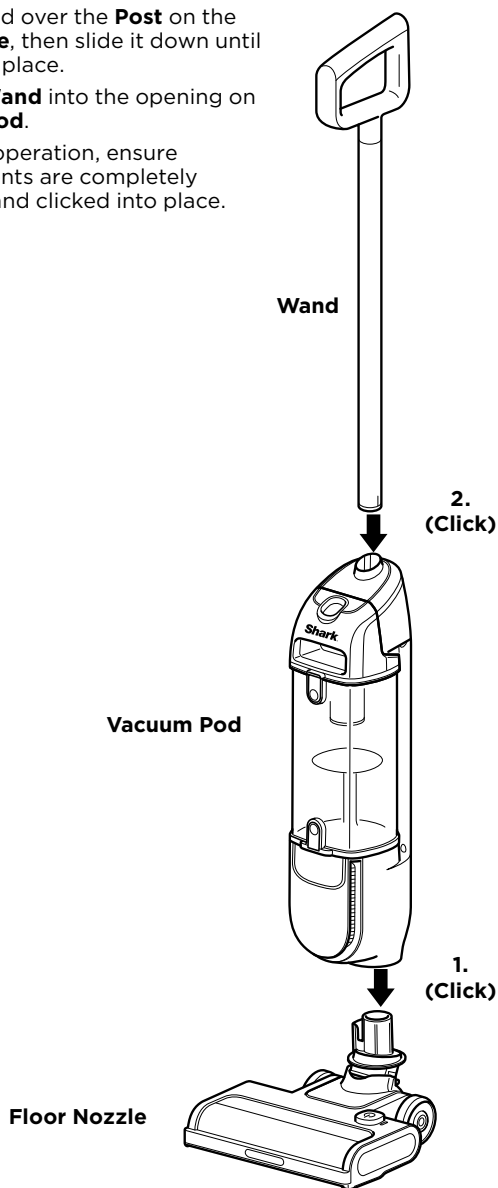


ASSEMBLY

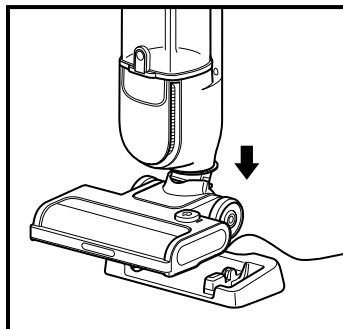
1. Align the pod over the **Post** on the **Floor Nozzle**, then slide it down until it clicks into place.

2. Insert the **Wand** into the opening on top of the **Pod**.

For proper operation, ensure all components are completely connected and clicked into place.

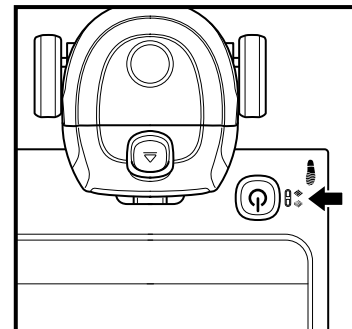


CHARGING



CHARGING YOUR VACUUM

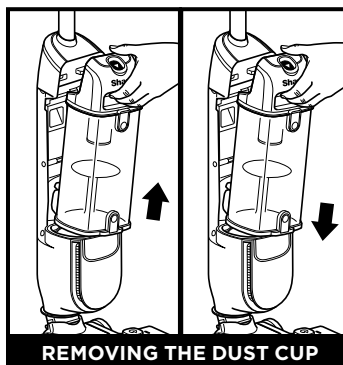
Place the vacuum on the dock to charge. Make sure the contacts on the vacuum are touching the contacts on the dock.



CHARGING STATUS INDICATOR

The light on the floor nozzle near the pedal indicates charging status:
Blinking green: partially charged.
Solid green and blue: fully charged.

MAINTENANCE



REMOVING THE DUST CUP

Empty the dust cup after every use, or when it appears full. To remove the dust cup, press the Dust Cup Release button, then pull the dust cup away from the vacuum and lift it off.

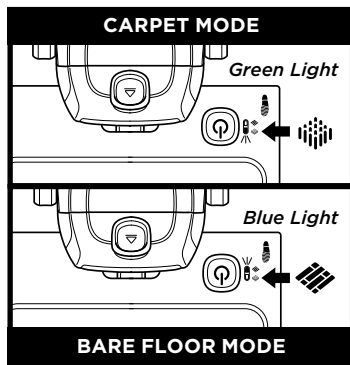
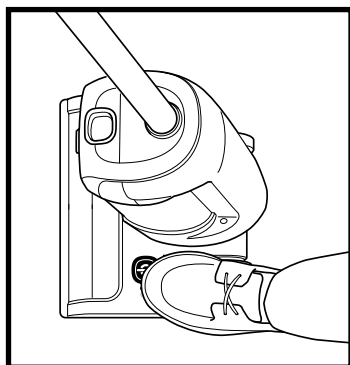
To reinstall, insert the dust cup into the opening in the vacuum pod and push it forward until it clicks into place.



EMPTYING THE DUST CUP

After removing the dust cup, hold it over a trash bin and press the Lid Release button to empty debris. Tap the dust cup against the inside of the bin to remove remaining debris.

USING YOUR VACUUM

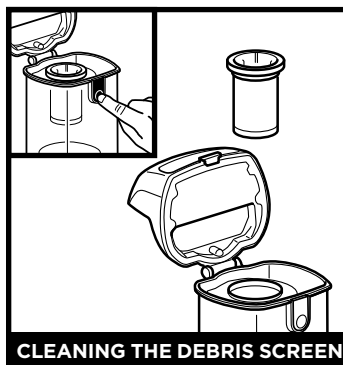


To turn **ON** power, step on the power pedal on the floor nozzle. Unit will power on in **CARPET** mode.

Step on the pedal again to change to **BARE FLOOR** mode.

To turn **OFF** power, step on the pedal again.

DEBRIS SCREEN AND FILTER MAINTENANCE



CLEANING THE DEBRIS SCREEN

With the dust cup removed, press the Screen Release button, then pull up on the debris screen to remove it. Rinse the screen with water only and allow it to air-dry for 24 hours before reinstalling.



CLEANING THE FILTER

With the dust cup removed, lift the filter out of the pod. Rinse the filter with water only. Allow the filter to air-dry completely for 24 hours before reinstalling.

Shark Cordless SV2000 Series

IMPORTANT SAFETY INSTRUCTIONS

 **WARNING: TO REDUCE THE RISK OF INJURY, USER MUST READ INSTRUCTION MANUAL • HOUSEHOLD USE ONLY**

WARNING When using an electrical appliance, to reduce the risk of fire, electric shock, injury, or property damage, basic precautions should always be followed, including the following:

- 1 This vacuum consists of a motorized nozzle, wand, and handheld vacuum. These components contain electrical connections, electrical wiring, and moving parts that potentially present risk to the user.
- 2 Before each use, carefully inspect all parts for any damage. If a part is damaged, discontinue use.
- 3 Use only identical replacement parts.
- 4 This vacuum contains no serviceable parts.
- 5 Use only as described in this manual.
DO NOT use the vacuum for any purpose other than those described in this manual.
- 6 With the exception of the filters and dust cup, **DO NOT** expose any parts of the vacuum to water or other liquids.
- 7 **DO NOT** allow the appliance to be used by children. Keep the appliance and its cord out of reach of children. Do not allow to be used as a toy. Close supervision is necessary when used near children.

GENERAL USE

- 8 This appliance can be used by persons with reduced physical, sensory or mental capabilities or lack of experience and knowledge if they have been given supervision or instruction concerning use of the appliance in a safe way and understand the hazards involved. Cleaning and user maintenance should not be done by children.
- 9 Always turn off the vacuum before connecting or disconnecting any current carrying hoses, motorized nozzles, chargers, batteries, or other electrical or mechanical parts.
- 10 **DO NOT** handle plug or vacuum with wet hands.
- 11 **DO NOT** use without dust cup, filters, and brushroll in place.
- 12 Only use Shark® branded filters and accessories. Damage caused by non-Shark filters and accessories may not be covered by the guarantee.
- 13 **DO NOT** put any objects into nozzle or accessory openings. **DO NOT** use with any opening blocked; keep free of dust, lint, hair, and anything that may reduce airflow.
- 14 **DO NOT** use if nozzle or accessory airflow is restricted. If the air paths or the motorized floor nozzle become blocked, turn the vacuum off. Remove all obstructions before you turn on the unit again.
- 15 Keep nozzle and all vacuum openings away from hair, face, fingers, uncovered feet, or loose clothing.
- 16 **DO NOT** use if vacuum is not working as it should, or has been dropped, damaged, left outdoors, or dropped into water.
- 17 Use extra care when cleaning on stairs.
- 18 **DO NOT** leave the vacuum unattended while powered on.
- 19 When powered on, keep the vacuum moving over the carpet surface at all times to avoid damaging the carpet fibers.
- 20 If you have delicate or wool carpets, particularly loop pile, please try the vacuum on a hidden area first to ensure the spinning brushrolls do not damage or unpick carpet fibers.
- 21 **DO NOT** use to pick up:
 - a) Liquids
 - b) Large objects
 - c) Hard or sharp objects (glass, nails, screws, or coins)
 - d) Large quantities of dust (including drywall, fireplace ash, or embers). **DO NOT** use as an attachment to power tools for dust collection.
 - e) Smoking or burning objects (hot coals, cigarette butts, or matches)
 - f) Flammable or combustible materials (lighter fluid, petrol, or kerosene)
 - g) Toxic materials (chlorine bleach, ammonia, or drain cleaner)

- 22 **DO NOT** use in the following areas:
 - a) Poorly lit areas
 - b) Wet or damp surfaces
 - c) Outdoor areas
 - d) Spaces that are enclosed and may contain explosive or toxic fumes or vapors (lighter fluid, petrol, kerosene, paint, paint thinners, mothproofing substances, or flammable dust)
- 23 Turn off the vacuum before plugging in or unplugging the charger.
- 24 Turn off the vacuum before any adjustment, cleaning, maintenance or troubleshooting.
- 25 During cleaning or routine maintenance, **DO NOT** cut anything other than hair, fibers, or string wrapped around the brushroll.
- 26 Allow all filters to air-dry completely before replacing in the vacuum to prevent liquid from being drawn into electric parts.
- 27 **DO NOT** modify or attempt to repair the vacuum or the battery yourself, except as indicated in this manual.
DO NOT use the battery or vacuum if it has been modified or damaged. Damaged or modified batteries may exhibit unpredictable behavior resulting in fire, explosion or risk of injury.
- 28 Turn off all controls before unplugging.
- 29 Always turn off this appliance before connecting or disconnecting motorized nozzle or hand tool.
- 30 If the supply cord is damaged, it must be replaced by the manufacturer, its service agent or similarly qualified persons in order to avoid a hazard.

BATTERY PACK

- 31 The battery is the power source for the vacuum. Carefully read and follow all charging instructions.
- 32 To prevent unintentional starting, ensure the vacuum is powered off before picking up or carrying the vacuum. **DO NOT** carry the appliance with your finger on the power switch.
- 33 Use only Shark charger DK15-133075H-U or ZD012S133075USD for single battery packs. Use of an incorrect charger may result in no charging, and/or unsafe conditions. A charger that is suitable for one type of battery pack may create a risk of fire when used with another battery pack.
- 34 Keep the battery away from all metal objects such as paper clips, coins, keys, nails, or screws. Shorting the battery terminals increases the risk of fire or burns.
- 35 Under abusive conditions, liquid may be ejected from the battery. Avoid contact with this liquid, as it may cause irritation or burns. If contact occurs, flush with water. If liquid contacts eyes, seek medical help.
- 36 Battery should not be stored at temperatures below 3°C (37.4°F) or above 40°C (104°F) to maintain long-term battery life.
- 37 **DO NOT** charge battery at temperatures below 5°C (40°F) or above 40°C (104°F). Charging improperly or at temperatures outside of the specified range may damage the battery and increase the risk of fire.
- 38 Store the appliance indoors. **DO NOT** use or store it below 3°C (37.4°F). Ensure the appliance is at room temperature before operating.
- 39 **DO NOT** expose the battery to fire or temperatures above 130°C (265°F) as it may cause explosion.
- 40 Use appliances only with specifically designated battery packs. Use of any other battery packs may create a risk of injury and fire.
- 41 Disconnect the battery pack from the appliance before making any adjustments, changing accessories, or storing appliance. Such preventive safety measures reduce the risk of starting the appliance accidentally.



READ AND SAVE THESE INSTRUCTIONS

VISIT qr.sharkclean.com/2000series manual OR

SCAN HERE

FOR FULL INSTRUCTIONS & REPLACEMENT PARTS