

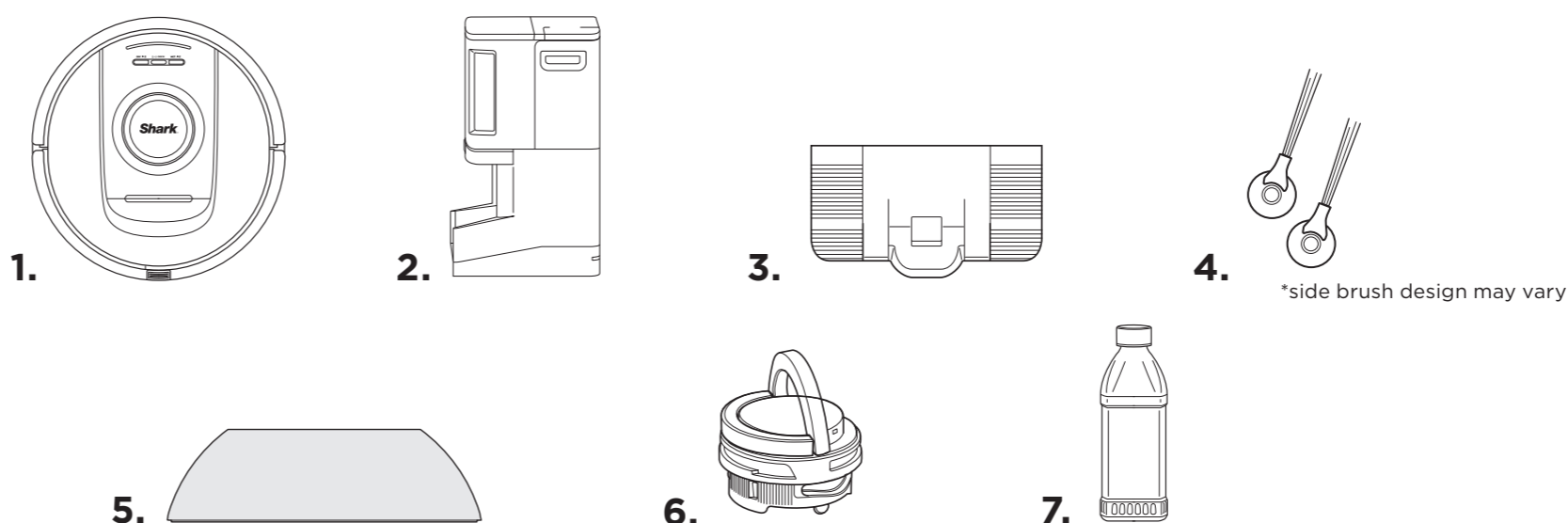
Shark[®] STRATOS[®] NEVERTOUCH[™]

SELF-CLEANING BASE 2-IN-1

ROBOT VACUUMS & MOPS • BASE SELF-EMPTIES, SELF-CLEANS & SELF-REFILLS

WHAT'S INCLUDED:

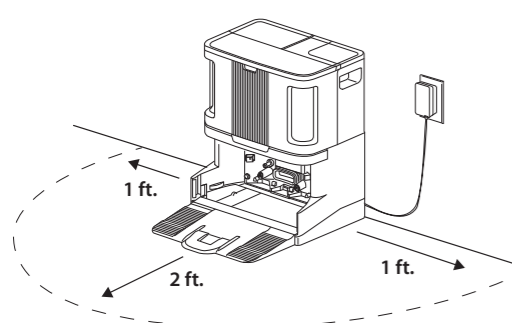
1. Robot
2. NeverTouch™ Base
3. Ramp
4. Side Brush (2x)
5. Mopping Pads (2x)
6. Odor Cartridge Assembly (2x)
7. Shark® Multi-Surface Cleaner
12 oz. (355 mL) Bottle



SETTING UP YOUR ROBOT

Remove all parts and accessories from the box before starting the following setup steps.

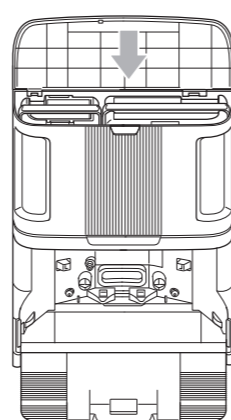
1 Set Up Base



Note: Do not setup the base on or within 2 feet of a carpeted surface.

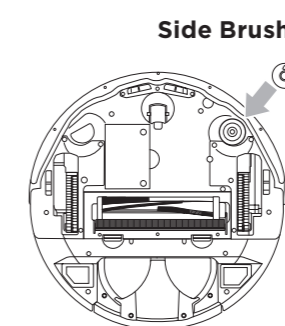
1. Remove all plastic wrap and foam.
2. Place the base on a flat, level hard-floor surface in a location with strong Wi-Fi signal, with 2 feet of clearance in front and one foot on either side.
3. Ensure the base is not placed in area with direct sunlight.
4. Plug in the base. The LED indicator light will turn green when the base is powered on.

2 Install Ramp On Base & Fill Water Tank



1. Install the ramp onto the front of the base. Press down until the ramp clicks into place.
2. **Lift the lid on the top front half of the base. Remove the clean water tank on the right side.**
3. **Add 12 oz. of cleaning solution. Fill the rest of the tank with room-temperature water up to the MAX fill line, then reinstall the tank.**

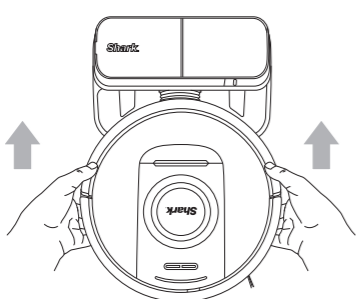
3 Attach a Side Brush to Bottom of Robot



Note: Side brush design may vary. Some models include a spare.

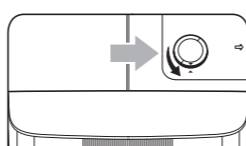
1. The side brush can be found inside the robot box.
2. Align the hole in the brush over the peg on the bottom of the robot, then press down on the brush until it clicks into place.

4 Slide Robot Onto Base




1. **Align the robot with the Shark logo upside down, then slide it up the ramp, onto the base.**
2. The LEDs on the base will turn green when the robot is charging.
3. After 10 to 15 seconds, the robot will begin to evacuate dust and debris into the base.

5 Insert Odor Cartridge Assembly



Note: Make sure the odor cartridge assembly is installed in the base before using the robot.

1. Insert cartridge assembly into the top of the base.
2. Rotate the cartridge until it clicks into place.

- 6 **Download & Explore the SharkClean® App**
To start a dry cleaning, use the app, or press the Dry icon  on your robot.



App Features

- ✓ Mapping
- ✓ Scheduling
- ✓ No-Go Zones
- ✓ Cleaning Reports



FOR FURTHER ASSISTANCE, PLEASE CALL OUR DEDICATED TEAM AT +1-888-668-9600.